

ILLUSION

LED MIRROR

SPECIFICATIONS

WIDTH	203mm
HEIGHT	203mm
DEPTH	24mm
WEIGHT	2kg

LIGHTING SPECIFICATIONS

CCT	6500K – daylight
CRI	>80

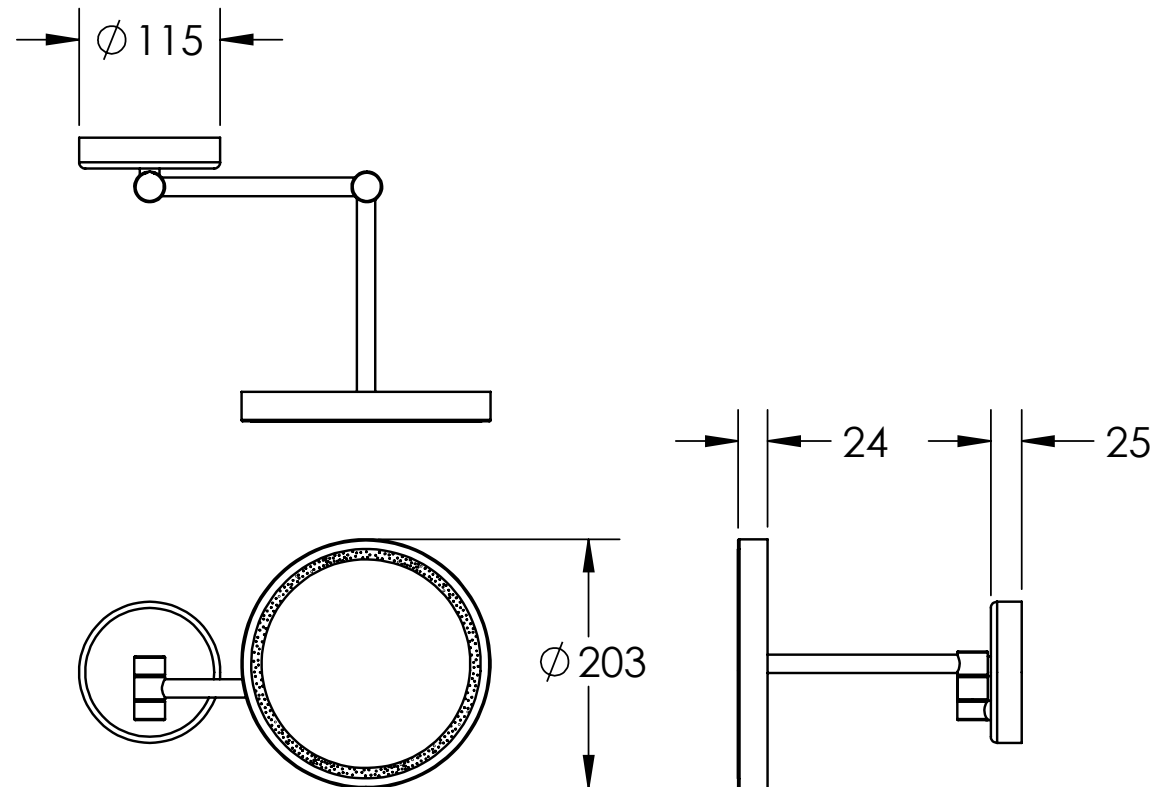
INSTALLATION

Wall mount
Hardwire
Input voltage: 220-240v 50Hz

FEATURES

Copper Free Mirror
LED Lighting (Adjustable Colour Temperature)
Frontlit
Touch Sensor
Demister
X5 Magnifier
Adjustable Swivel Arms
Maximum Reach: 400mm

FINISH	PRODUCT CODE
Chrome	ID-X5-C
Matt Black	ID-X5-MB
Brushed Nickel	ID-X5-BN



Disclaimer: All LED Products requiring hardwiring must be installed by a licensed electrician in accordance with local regulations. Sizes are in mm and nominal and should be checked prior to installation. Actual colours may vary so please check colour samples before ordering. Installation is acceptance of our products. Installation of faulty, warped, chipped or damaged products will void our warranty.