

## ECLIPSE 600DD

MATT WHITE

E60DD-MW

MATT BLACK

E60DD-MB



### Dimension (mm):

Diameter	600
Depth	33
Weight	7kg

### Features

LED Lighting

Copper Free Mirror

Demister with 1 Hour Auto Cut-off

Dimmable

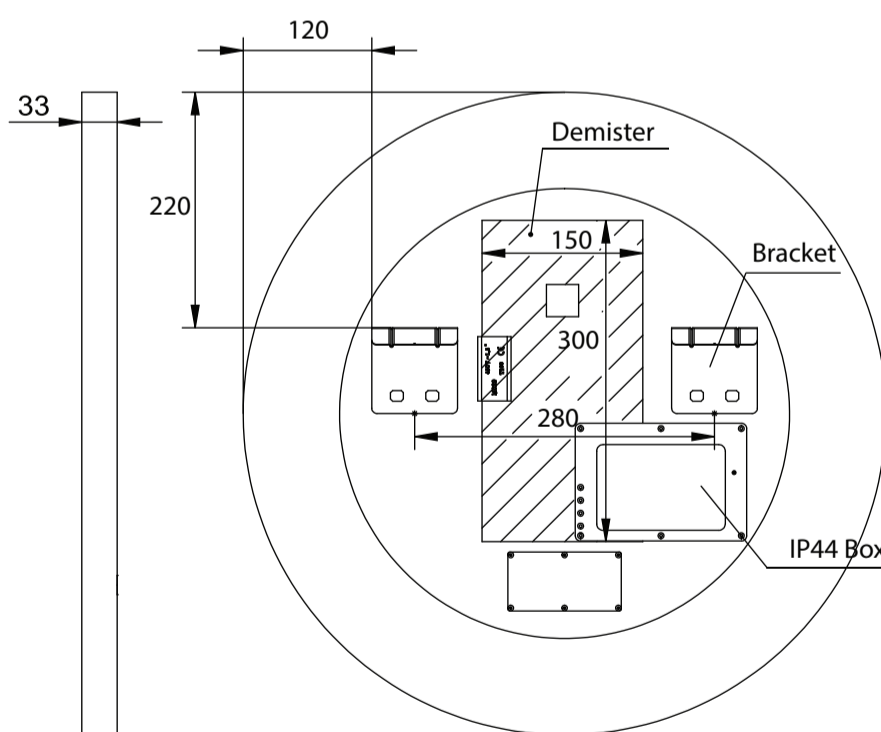
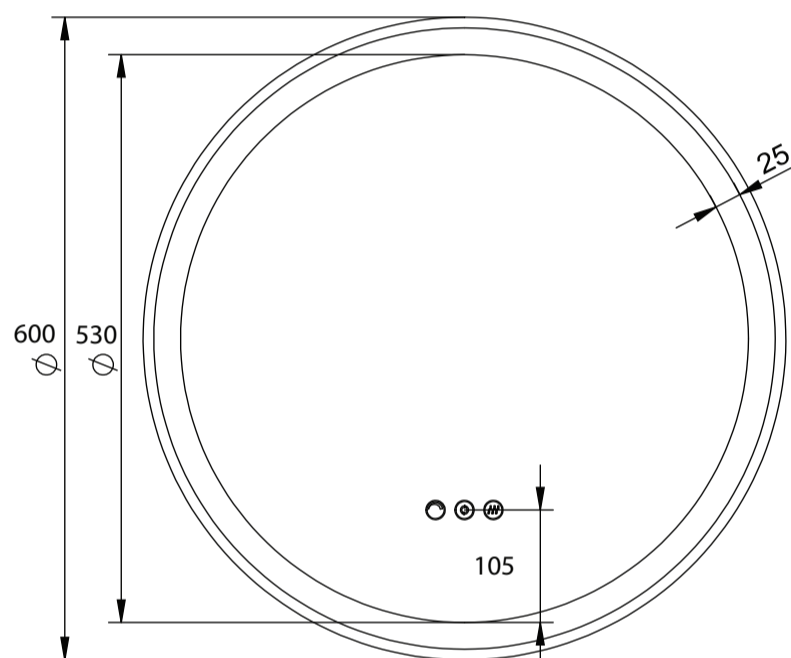
Adjustable Colour Temperature

### MDF Coloured Frame Options:

Matt White



Matt Black



### WARRANTY

5 years

\*Conditions apply

To clean this mirror, wipe it with a soft microfiber cloth or a lint free cloth that has been rinsed in warm water and wrung out well, then rub the mirror gently with a soft dry cloth.

**PLEASE do not use glass or window cleaner, or other cleaners with chemical agents. These may damage the silver coating and brown marks can result.**

Please confirm all particulars with your sales consultant or refer to our website for more information prior to purchase.