

S-SERIES: ROUND SHAPE

LED MIRROR

SPECIFICATIONS

WIDTH	600mm
HEIGHT	600mm
DEPTH	from 35-40mm
TOTAL WEIGHT	Less than or equal to 15kg

AVAILABLE FEATURES

Copper Free Mirror
LED Lighting
Backlit
Portrait/Landscape

OPTIONAL UPGRADES

Bluetooth
Demister
Adjustable Colour Temperature
Touch sensor

LIGHTING SPECIFICATIONS

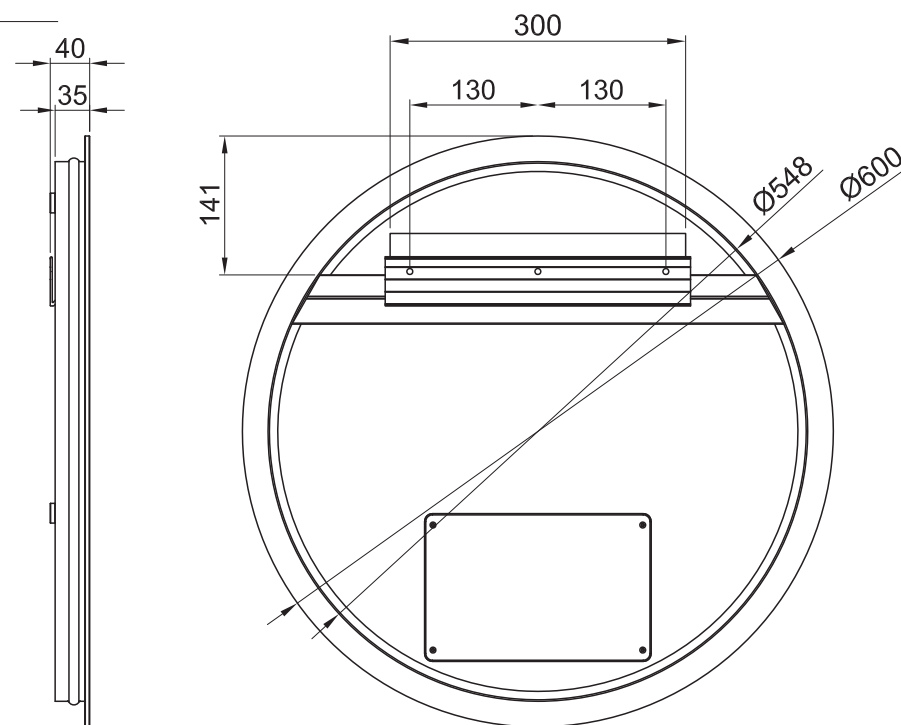
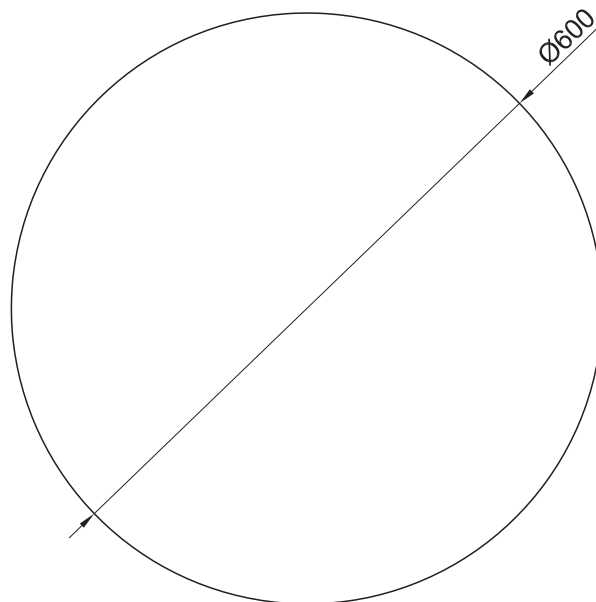
CRI	>80
CCT OPTIONS	
Warm White	2700K
Remer Standard	4000K
Cool White	6500K
	2700-6500K

INSTALLATION

Wall mount
Input voltage: 220-240v 50Hz



Sizes are in mm and nominal and should be checked prior to installation. Actual colours may vary so please check colour samples before ordering. Installation is acceptance of our products. Installation of faulty, warped, chipped or damaged products will void our warranty.



S-SERIES: ROUND SHAPE

LED MIRROR WITH COLOURED ALUMINIUM FRAME

PRODUCT CODE
SN60 – BB/BN/GM/MB/MW

SPECIFICATIONS	
WIDTH	605mm
HEIGHT	605mm
DEPTH	from 38-43mm
TOTAL WEIGHT	Less than or equal to 15kg

AVAILABLE FEATURES
Copper Free Mirror
LED Lighting
Backlit
Portrait/Landscape

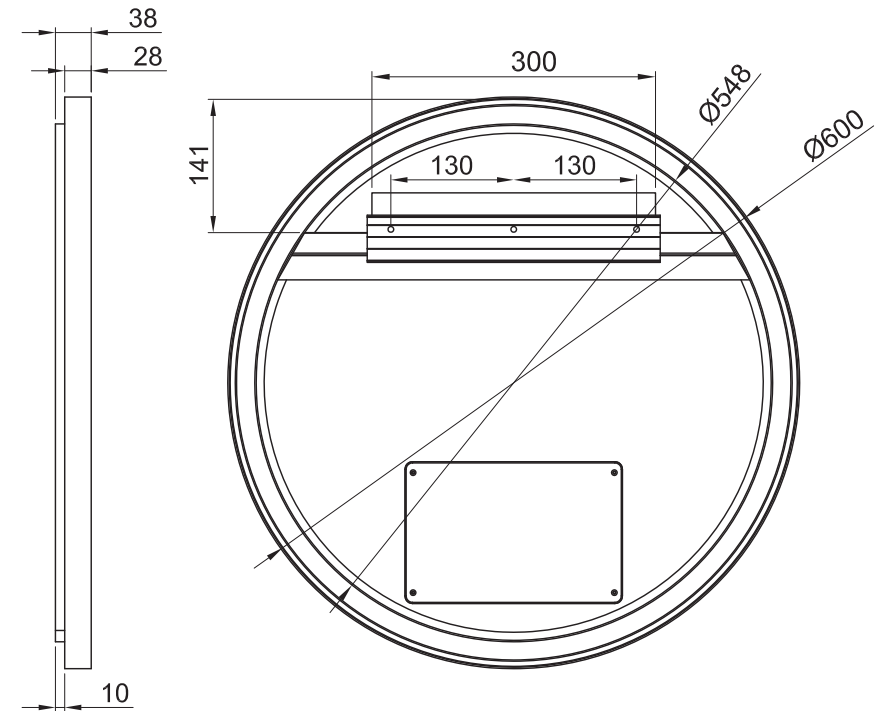
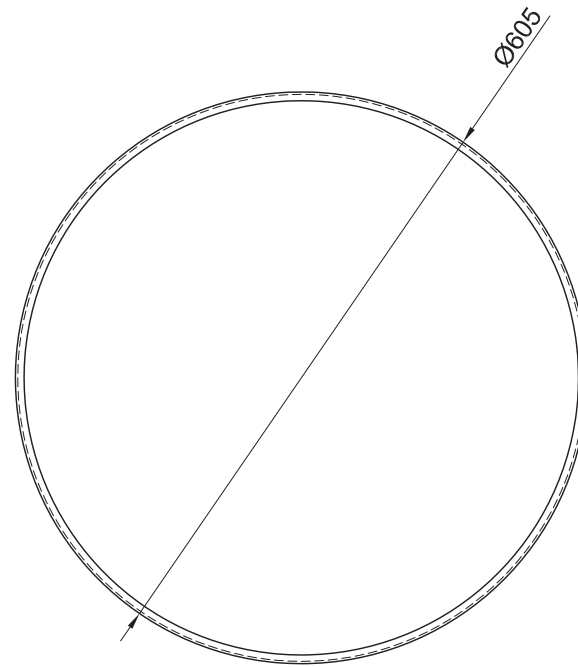
OPTIONAL UPGRADES
Bluetooth
Demister
Adjustable Colour Temperature
Touch sensor

LIGHTING SPECIFICATIONS	
CRI	>80
CCT OPTIONS	
Warm White	2700K
Remer Standard	4000K
Cool White	6500K
	2700-6500K

INSTALLATION
Wall mount
Input voltage: 220-240v 50Hz



Sizes are in mm and nominal and should be checked prior to installation. Actual colours may vary so please check colour samples before ordering. Installation is acceptance of our products. Installation of faulty, warped, chipped or damaged products will void our warranty.



Coloured aluminium frames

