

Please check actual product in box for bracket type used

GATSBY 450X900D

PRODUCT CODE

G4590D

LED MIRROR

SPECIFICATIONS

| | |
|-------------|----------|
| WIDTH | 450mm |
| HEIGHT | 900mm |
| DEPTH | 31mm |
| WEIGHT | 7kg |
| ORIENTATION | Portrait |

FEATURES

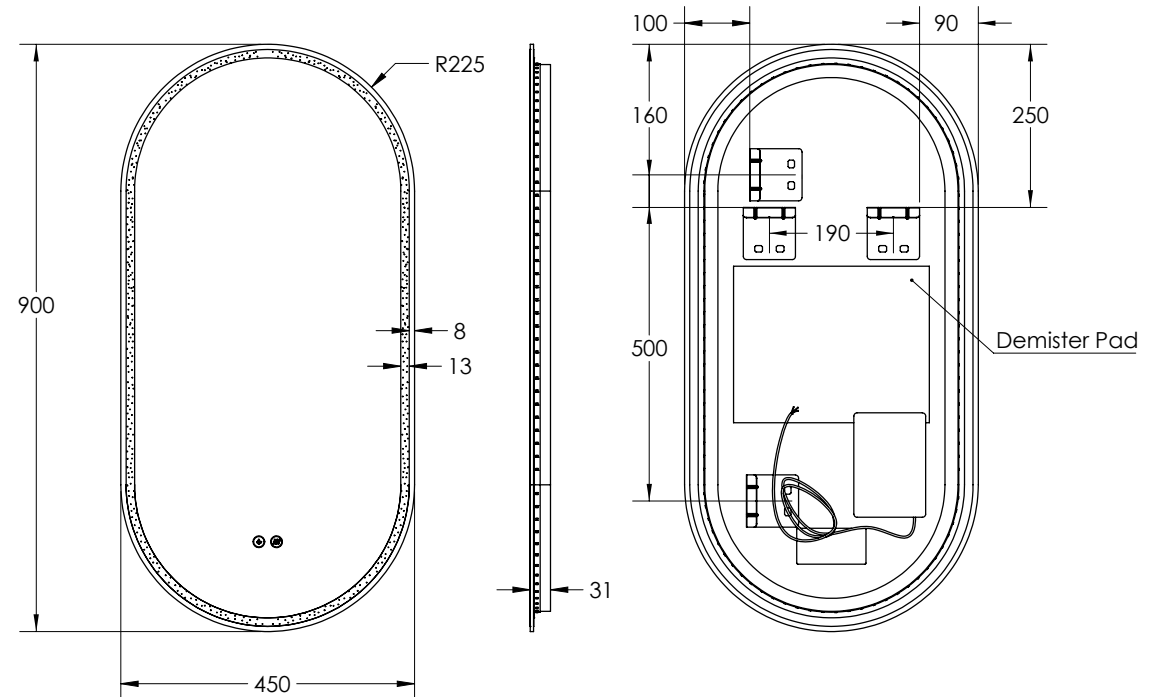
| |
|---|
| Copper Free Mirror |
| LED Lighting (Adjustable Colour Temperature) |
| Backlit |
| Touch Sensor |
| Demister with 1 Hour Auto Cut-off |

LIGHTING SPECIFICATIONS

| | |
|-----|---------------|
| CCT | 2700K - 6500K |
| CRI | >80 |

INSTALLATION

| |
|------------------------------|
| Wall mount |
| Hardwire |
| Input voltage: 220-240v 50Hz |



Disclaimer: All LED Products requiring hardwiring must be installed by a licensed electrician in accordance with local regulations. Sizes are in mm and nominal and should be checked prior to installation. Actual colours may vary so please check colour samples before ordering. Installation is acceptance of our products. Installation of faulty, warped, chipped or damaged products will void our warranty.

GATSBY 450X900D

PRODUCT CODE

G4590D

LED MIRROR

SPECIFICATIONS

| | |
|-------------|----------|
| WIDTH | 450mm |
| HEIGHT | 900mm |
| DEPTH | 35mm |
| WEIGHT | 7kg |
| ORIENTATION | Portrait |

FEATURES

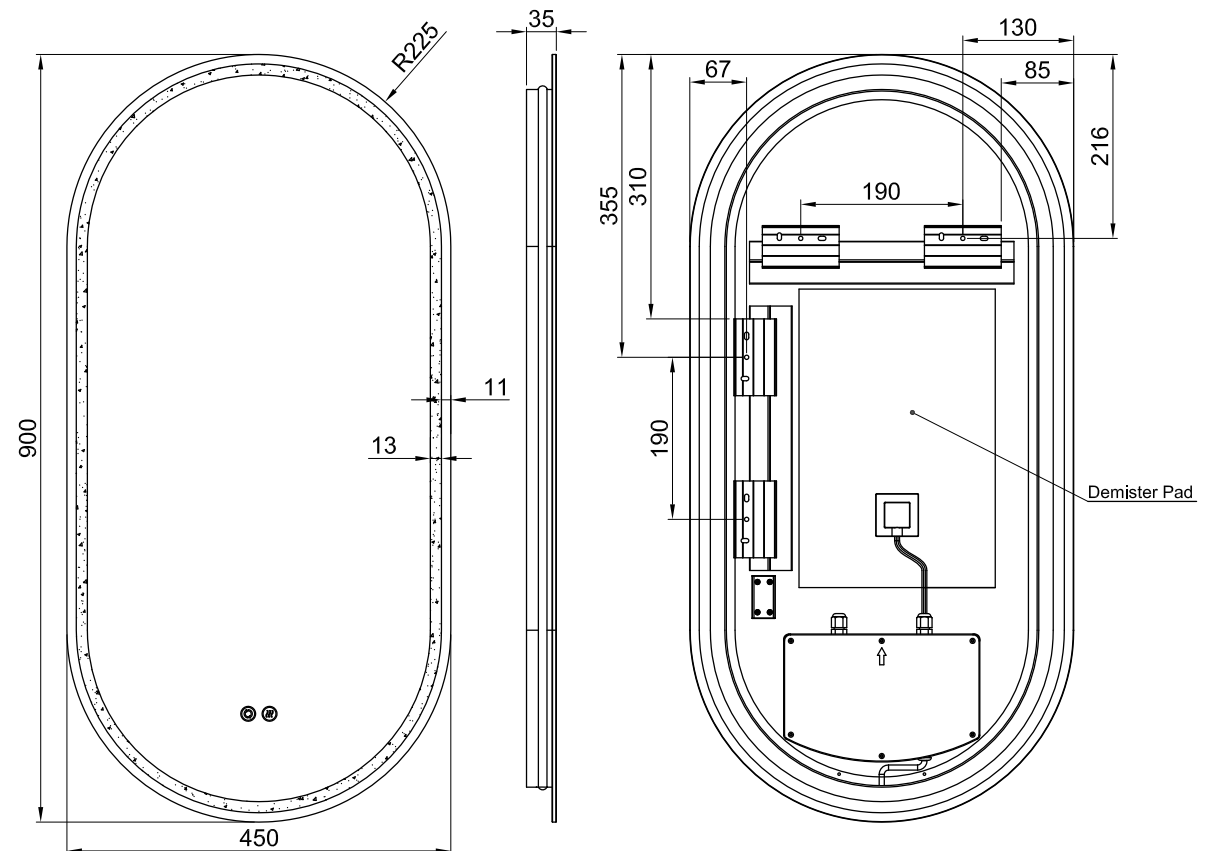
| |
|---|
| Copper Free Mirror |
| LED Lighting (Adjustable Colour Temperature) |
| Backlit |
| Touch Sensor |
| Demister with 1 Hour Auto Cut-off |

LIGHTING SPECIFICATIONS

| | |
|-----|---------------|
| CCT | 2700K - 6500K |
| CRI | >80 |

INSTALLATION

| |
|------------------------------|
| Wall mount |
| Hardwire |
| Input voltage: 220-240v 50Hz |



Disclaimer: All LED Products requiring hardwiring must be installed by a licensed electrician in accordance with local regulations. Sizes are in mm and nominal and should be checked prior to installation. Actual colours may vary so please check colour samples before ordering. Installation is acceptance of our products. Installation of faulty, warped, chipped or damaged products will void our warranty.

Please check actual product in box for bracket type used

GATSBY 450X900D

LED MIRROR WITH ALUMINIUM FRAME

SPECIFICATIONS

| | |
|-------------|----------|
| WIDTH | 460mm |
| HEIGHT | 910mm |
| DEPTH | 40mm |
| WEIGHT | 8kg |
| ORIENTATION | Portrait |

LIGHTING SPECIFICATIONS

| | |
|-----|---------------|
| CCT | 2700K - 6500K |
| CRI | >80 |

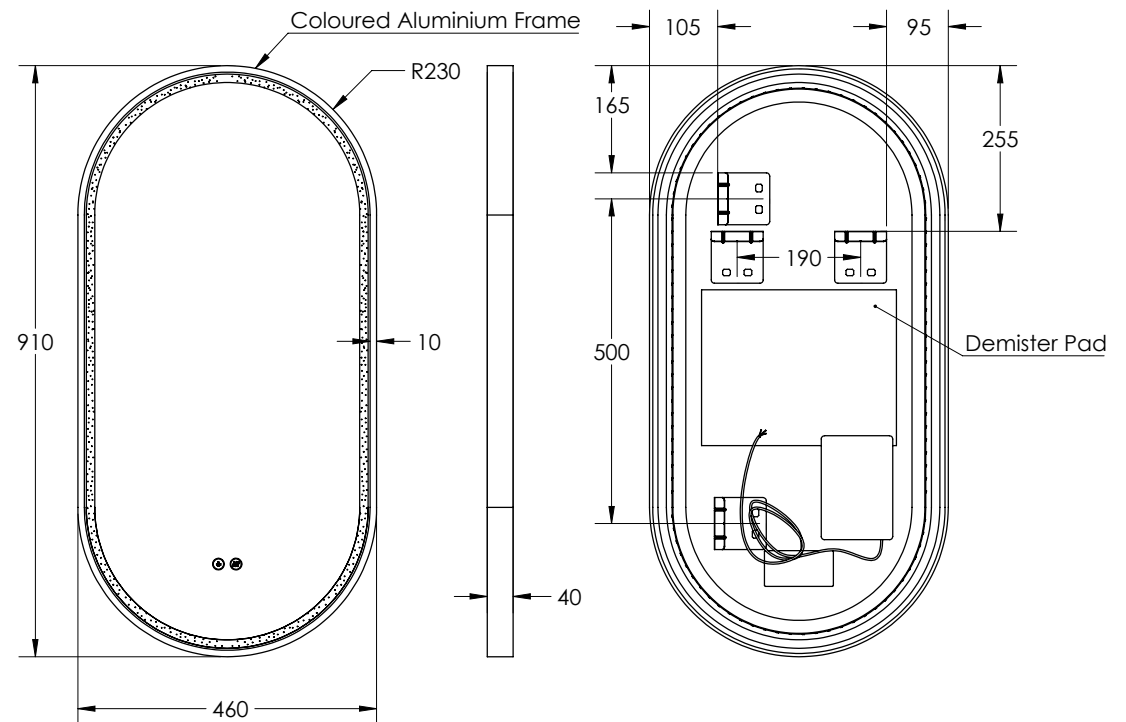
INSTALLATION

| |
|------------------------------|
| Wall mount |
| Hardwire |
| Input voltage: 220-240v 50Hz |

FEATURES

| |
|--|
| Copper Free Mirror |
| LED Lighting (Adjustable Colour Temperature) |
| Frontlit |
| Touch Sensor |
| Demister with 1 Hour Auto Cut-off |

| FINISH | | PRODUCT CODE |
|----------------|--|--------------|
| Brushed Brass | | G4590D-BB |
| Brushed Nickel | | G4590D-BN |
| Gun Metal | | G4590D-GM |
| Matte Black | | G4590D-MB |
| Matte White | | G4590D-MW |



Disclaimer: All LED Products requiring hardwiring must be installed by a licensed electrician in accordance with local regulations. Sizes are in mm and nominal and should be checked prior to installation. Actual colours may vary so please check colour samples before ordering. Installation is acceptance of our products. Installation of faulty, warped, chipped or damaged products will void our warranty.

Please check actual product in box for bracket type used

GATSBY 450X900D

LED MIRROR WITH ALUMINIUM FRAME

SPECIFICATIONS

| | |
|-------------|----------|
| WIDTH | 455mm |
| HEIGHT | 905mm |
| DEPTH | 40mm |
| WEIGHT | 8kg |
| ORIENTATION | Portrait |

LIGHTING SPECIFICATIONS

| | |
|-----|---------------|
| CCT | 2700K - 6500K |
| CRI | >80 |

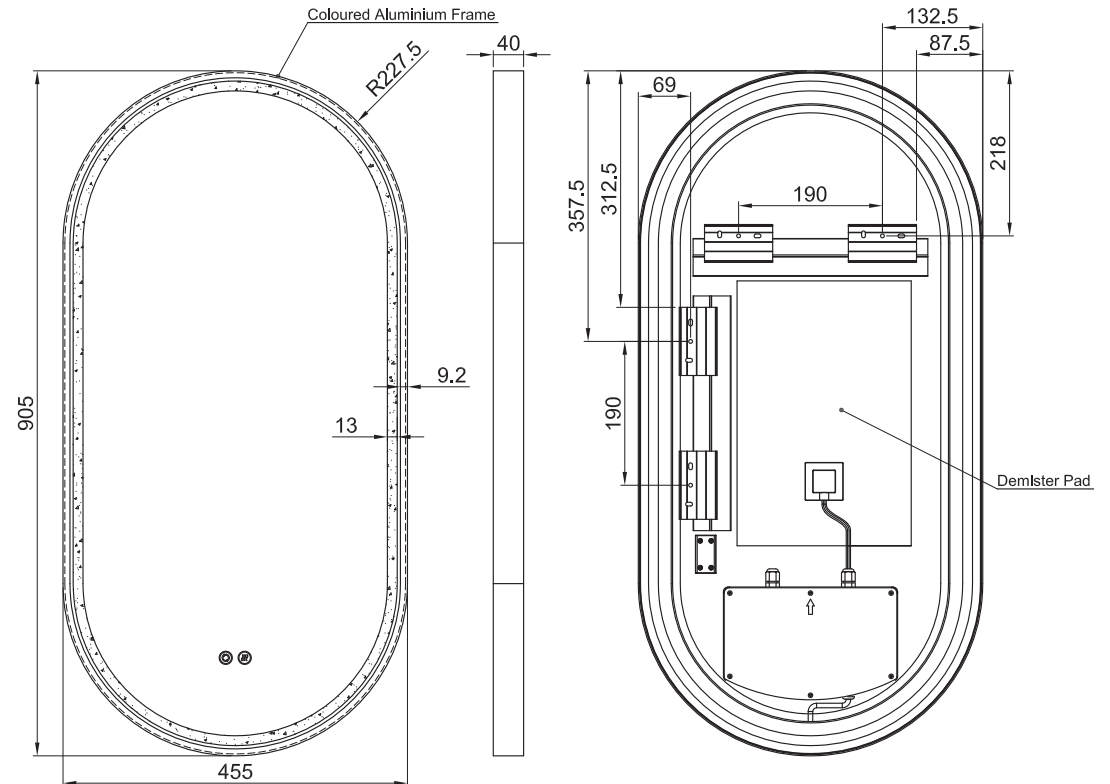
INSTALLATION

| |
|------------------------------|
| Wall mount |
| Hardwire |
| Input voltage: 220-240v 50Hz |

FEATURES

| |
|--|
| Copper Free Mirror |
| LED Lighting (Adjustable Colour Temperature) |
| Frontlit |
| Touch Sensor |
| Demister with 1 Hour Auto Cut-off |

| FINISH | | PRODUCT CODE |
|----------------|--|--------------|
| Brushed Brass | | G4590D-BB |
| Brushed Nickel | | G4590D-BN |
| Gun Metal | | G4590D-GM |
| Matte Black | | G4590D-MB |
| Matte White | | G4590D-MW |



Disclaimer: All LED Products requiring hardwiring must be installed by a licensed electrician in accordance with local regulations. Sizes are in mm and nominal and should be checked prior to installation. Actual colours may vary so please check colour samples before ordering. Installation is acceptance of our products. Installation of faulty, warped, chipped or damaged products will void our warranty.