

ECLIPSE 800DD

LED MIRROR

SPECIFICATIONS

WIDTH	800mm
HEIGHT	800mm
DEPTH	33mm
WEIGHT	11kg

LIGHTING SPECIFICATIONS

CCT	2700K - 6500K
CRI	>80

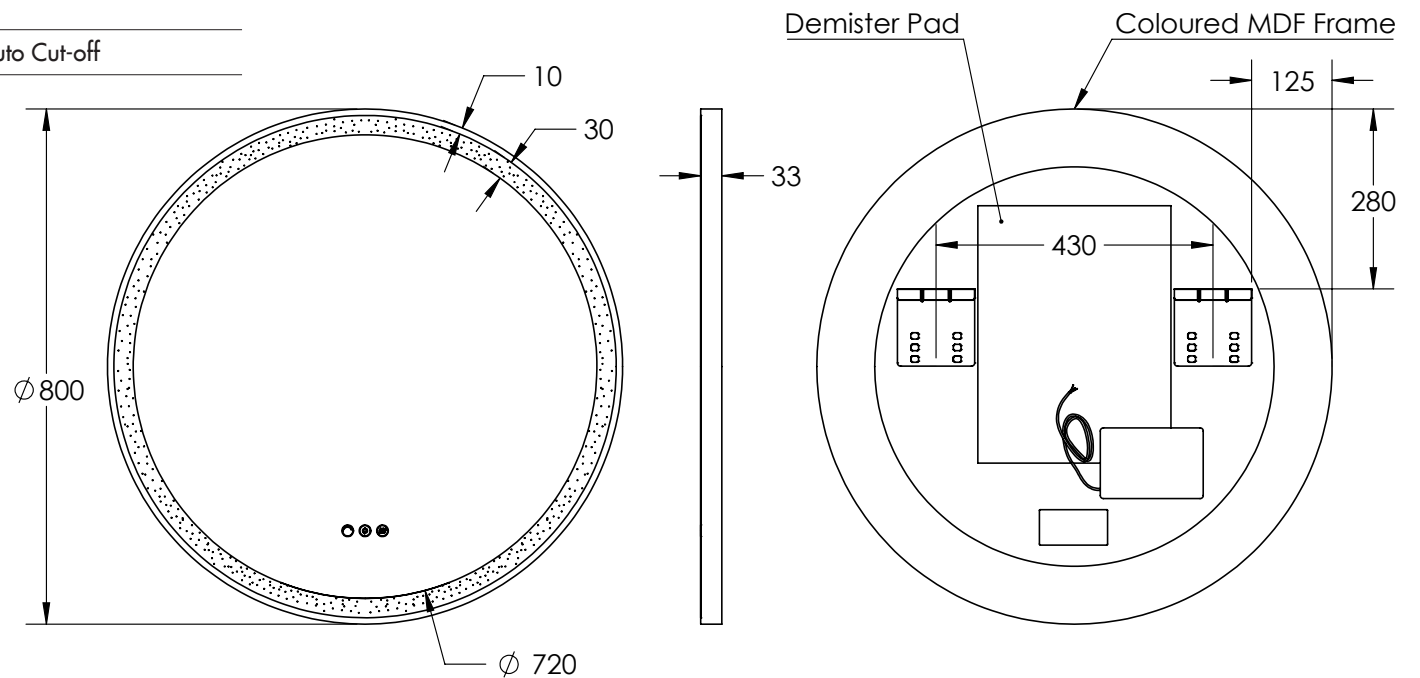
INSTALLATION

Wall mount
Hardwire
Input voltage: 220-240v 50Hz

FEATURES

Copper Free Mirror
LED Lighting (Adjustable Colour Temperature)
Frontlit
Dimmable
Touch Sensor
Demister with 1 Hour Auto Cut-off

FINISHES		PRODUCT CODE
Matt White MDF Frame		E80D-MW
Matt Black MDF Frame		E80D-MB



Disclaimer: All LED Products requiring hardwiring must be installed by a licensed electrician in accordance with local regulations. Sizes are in mm and nominal and should be checked prior to installation. Actual colours may vary so please check colour samples before ordering. Installation is acceptance of our products. Installation of faulty, warped, chipped or damaged products will void our warranty.