

AMBER 900

LED SHAVING CABINET

SPECIFICATIONS

WIDTH	900mm
HEIGHT	700mm
DEPTH	145mm
WEIGHT	31kg

LIGHTING SPECIFICATIONS

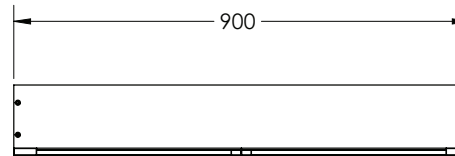
CCT	6500K – daylight
CRI	>80

INSTALLATION

- Wall mount
- Hardwired
- Input voltage: 220-240v 50Hz
- Includes wall mount split batten
- Mounting holes are provided for semi-recessed mounting

FEATURES

- Copper Free Mirror
- LED Lighting (6500K)
- Frontlit
- Touch Sensor
- Demister on all Doors
- Soft Close
- Concealed Wire Technology
- Adjustable Glass Shelves
- Double-Sided Mirror Doors
- Semi-recessable

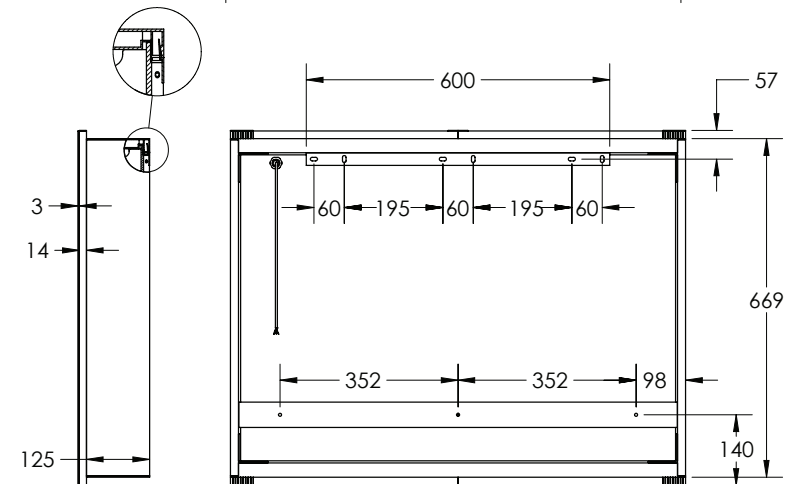
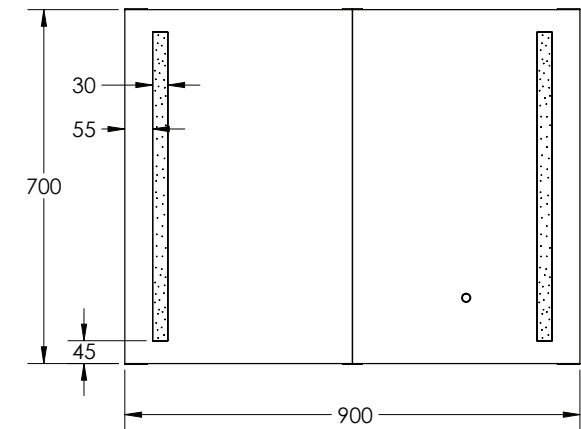


FINISH

Silver Aluminium

PRODUCT CODE

A90D



Disclaimer: All LED Products requiring hardwiring must be installed by a licensed electrician in accordance with local regulations. Sizes are in mm and nominal and should be checked prior to installation. Actual colours may vary so please check colour samples before ordering. Installation is acceptance of our products. Installation of faulty, warped, chipped or damaged products will void our warranty.