

Thank you for purchasing this Remer product.

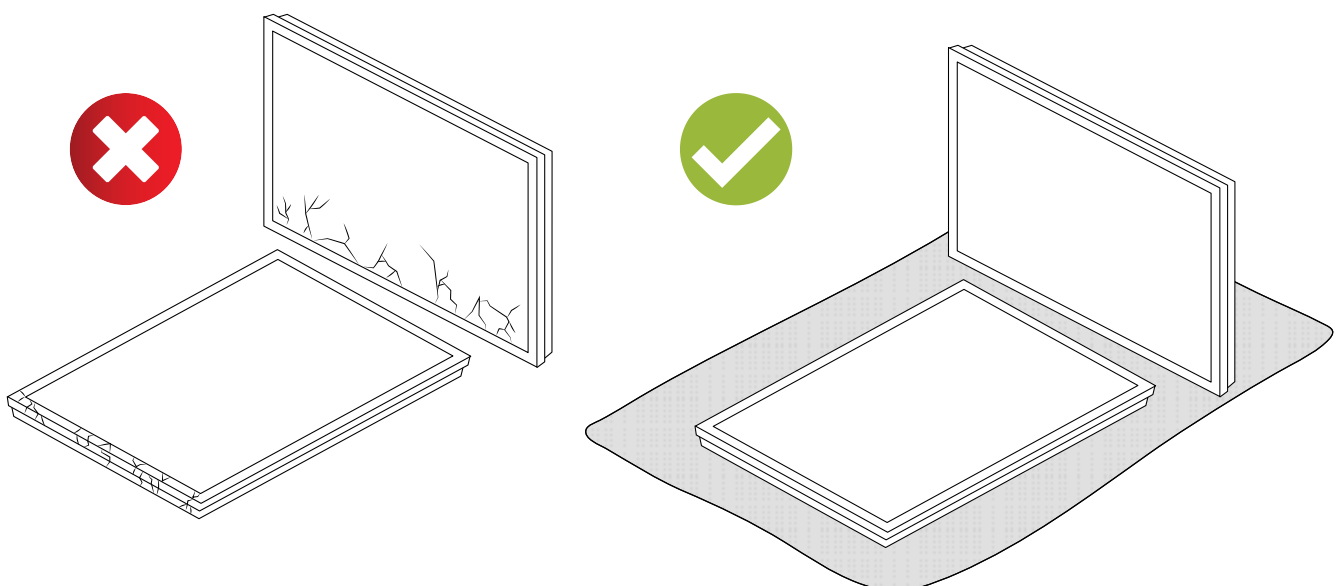
Please read through these instructions carefully and refer back to them during installation to ensure that your product is fitted safely and that it retains its high quality finish.

Electrical Safety Information

All Remer LED products must be installed by a **licensed electrician** in accordance with local regulations. **Please inspect product for any blemishes and/or damage before installation.** Installation of any Remer products is regarded as acceptance of that product and therefore no claims for damaged products can be made after installation. Any claim for damaged products must be made within 48 hours from receipt of product.

Warnings for Safe Use

- Please read the instructions and warnings carefully before installing the product and ensure this document is kept with the product for future reference to ensure product longevity and in the interest of safety.
- If any modification is made, it will invalidate the warranty and may render the product unsafe.
- This product is IP44 rated and suitable for installation in Zones 2 and outside Zon according to the IEEE regulations.
- It is not suitable for use in saunas, steam rooms and shower cubicles.
- Appropriate circuit protection should be available for the products
- Take suitable precautions when handling products.
- Do not install and/or use if product is broken or unsafe.
- This product is design for installation into a drywall, if mounting onto other substrate ensure appropriate fixing and batons (if required) are used and the load bearing of the wall is sufficient.
- Always switch off the electrical supply to the product at the mains during installation and maintenance.
- it is recommended that this product is installed by two people.



Handling Tips



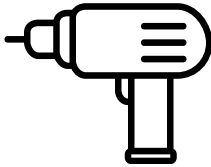
We suggest never place a Remer product on hard surface and always lift it with two people or more.

- Different hanging system is provided depending on the design of the products. Refer to diagram below and hanging system provided along with the product.
- Measure and install the hanging system on the wall using the appropriate wall fixings for your wall type.

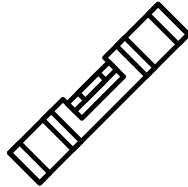
Tools Required



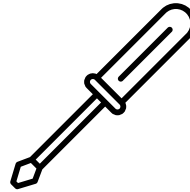
Pencil



Drill

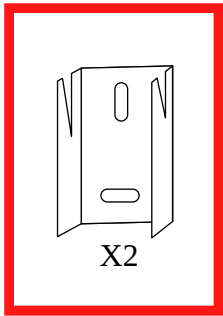
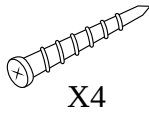
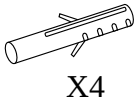
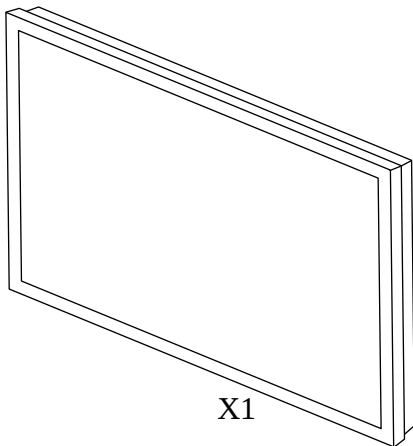


Spirit Level

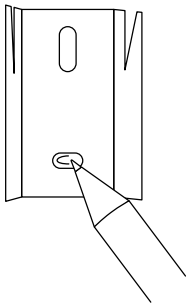


Screwdriver

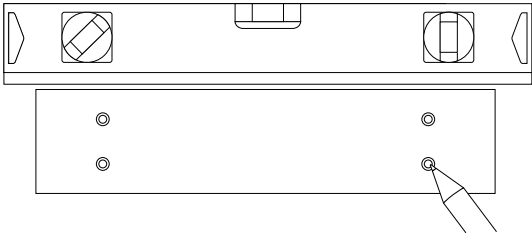
Installation (Figures) A



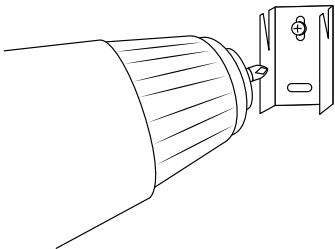
1



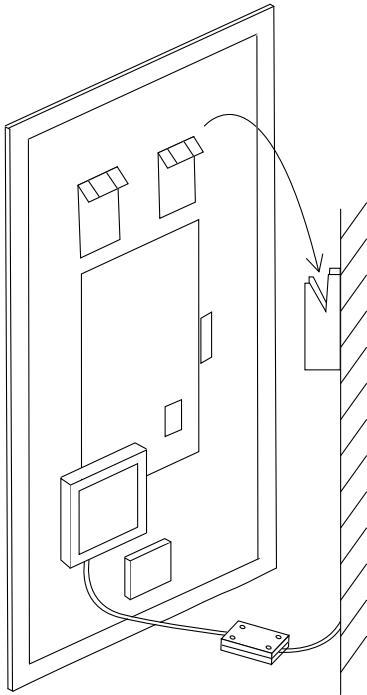
2



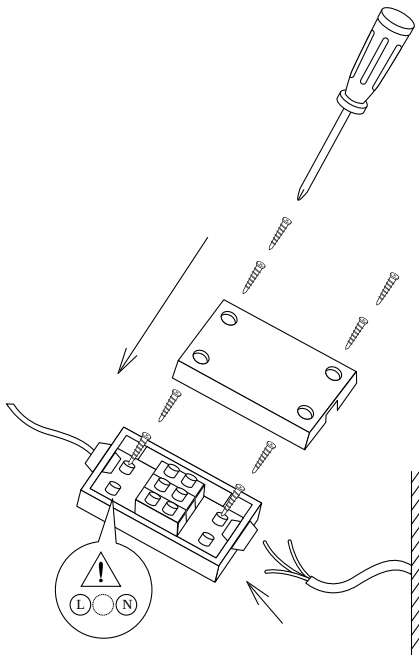
3



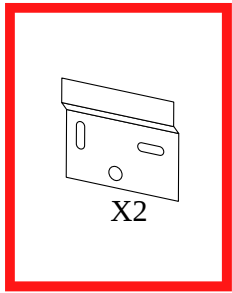
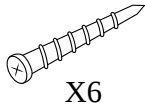
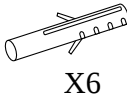
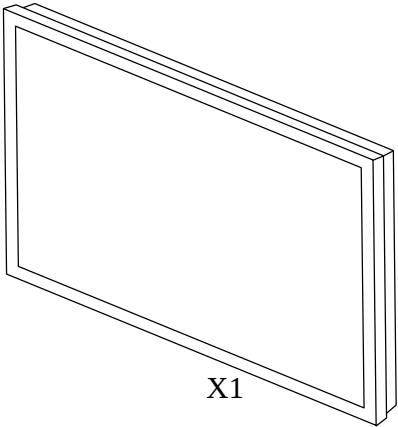
5



4

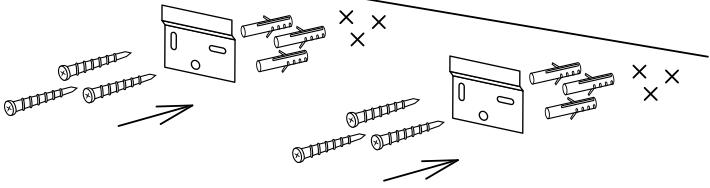


Installation (Figures) B

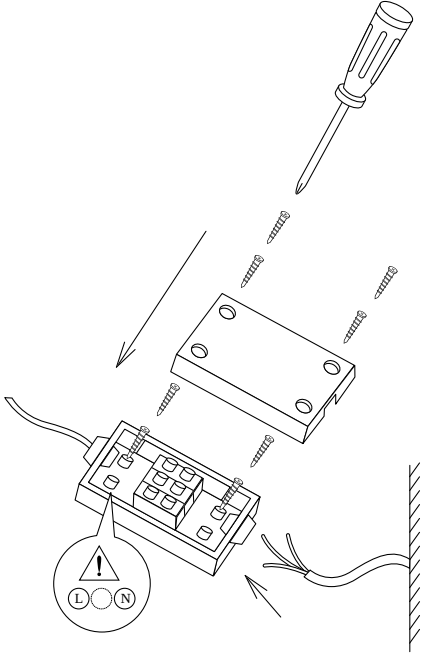


*Some larger mirrors come with 3 hanging brackets.

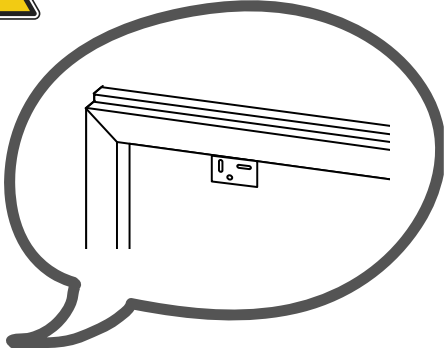
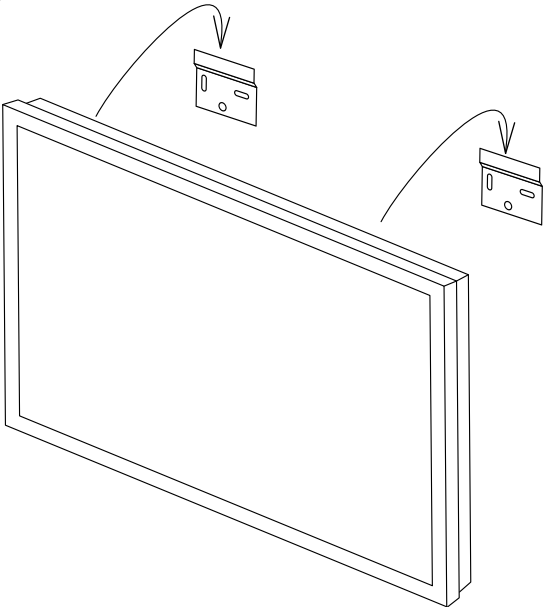
1



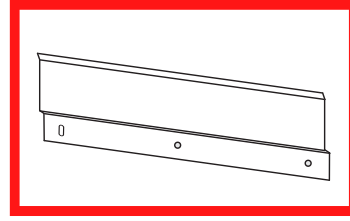
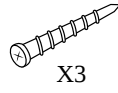
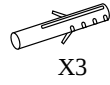
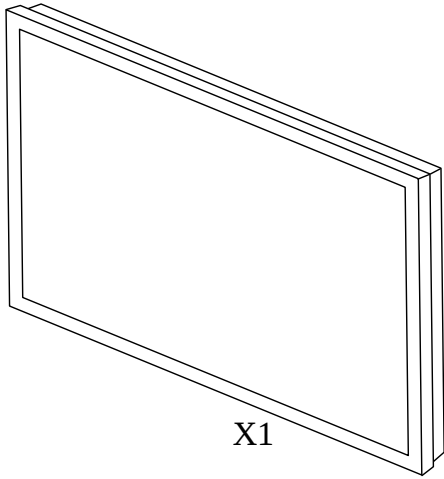
2



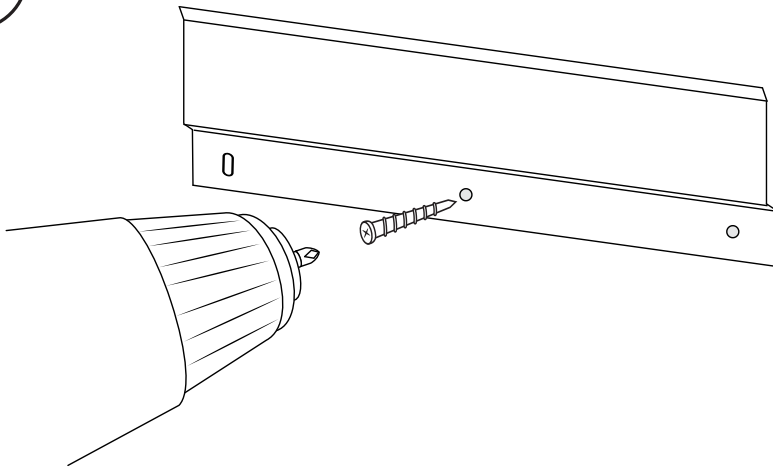
3



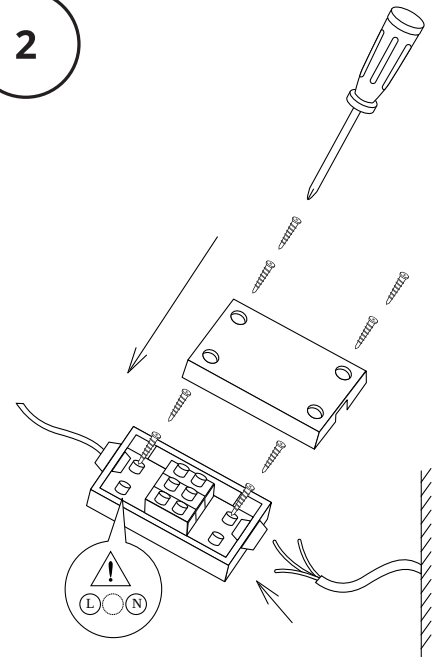
Installation (Figures) C



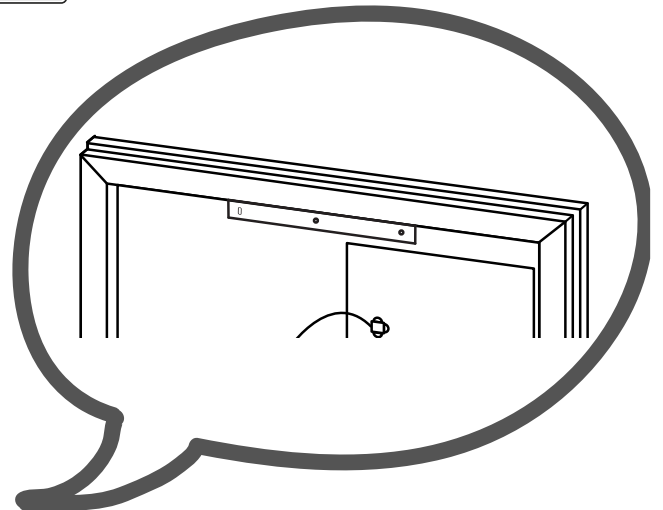
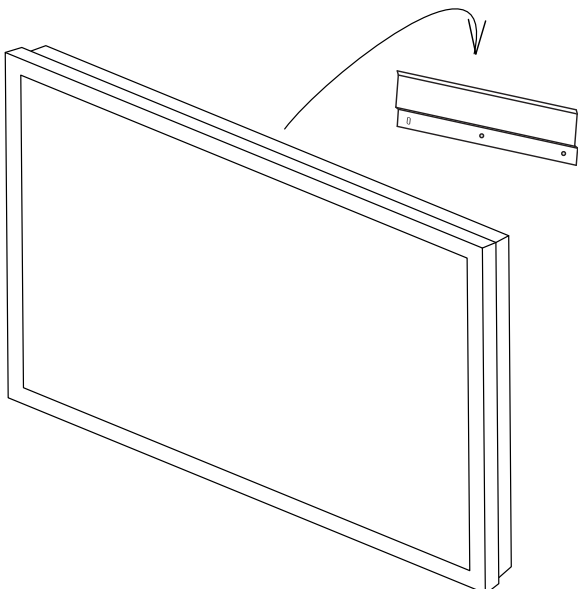
1



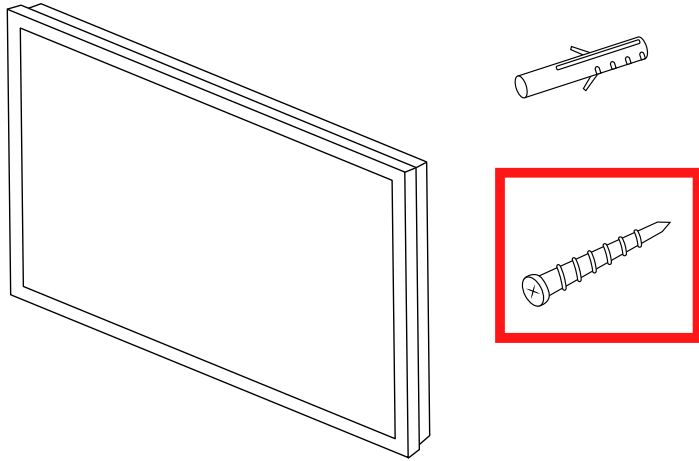
2



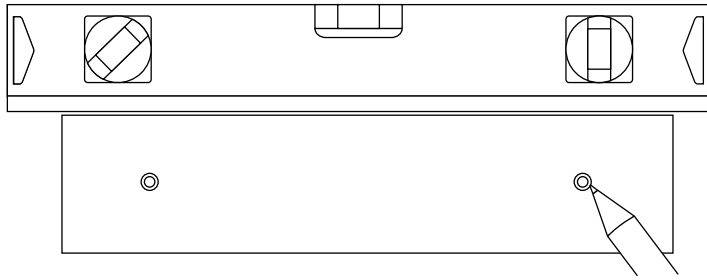
3



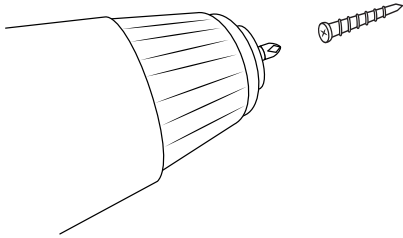
Installation (Figures) D



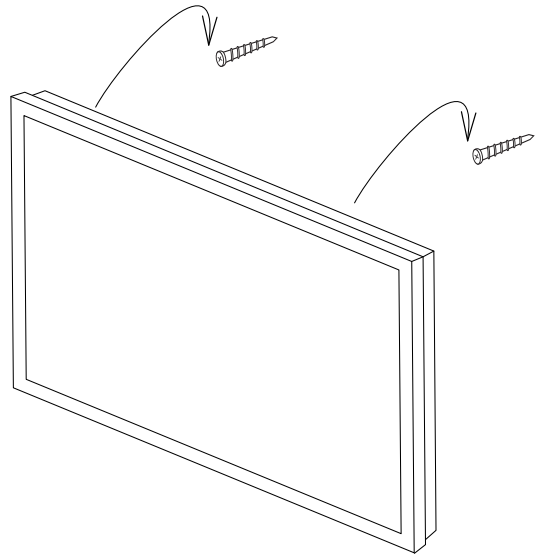
1



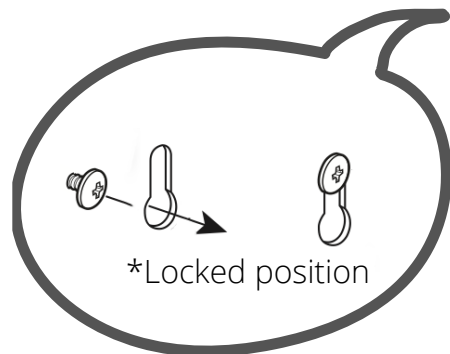
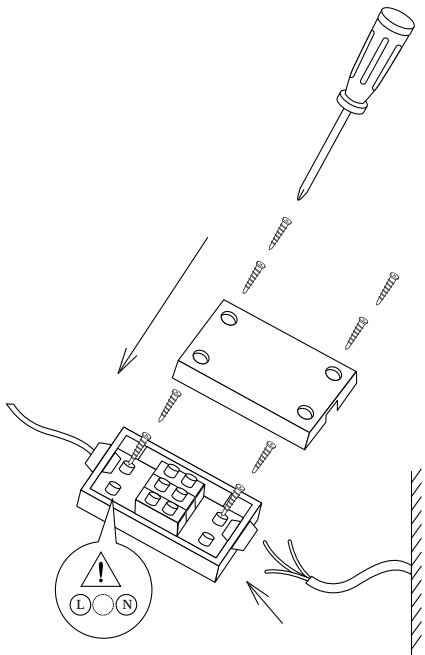
2



4



3



Note: When the button is lit, the function is switched off and vice versa, the function is switched on when the button is not lit.



LED LIGHTING

- To switch LED lighting on and off, touch this sensor once.



ADJUSTABLE LIGHT COLOUR (WHERE APPLICABLE)

1. Touch once to switch on the light if the light is not switched on.
2. Touch and hold the sensor until the desired colour is obtained.



DEMISTER (WHERE APPLICABLE)

- Touch this sensor to switch on the demister.
- For some models, demister will automatically be switched off after an hour.
*Please refer to www.remer.com.au for more information



DIMMER (WHERE APPLICABLE)

1. Touch once to switch on the light if the light is not switched on.
2. Touch and hold the sensor until the desired brightness is obtained.



BLUETOOTH SPEAKERS (WHERE APPLICABLE)

1. To switch the Bluetooth Speakers on or off, touch this sensor with Bluetooth Symbol Etched on the mirror.
2. An indicator tone can be heard when this function is switched on/off.
3. Go to the Bluetooth Settings on your smart device and look for "REMER" connection.
*Please refer to www.remer.com.au for more information.

Cleaning and Maintenance

- Do not leave the mirror on for prolonged period.

Mirror and Shaving Cabinet:

- Please clean mirror surface with a mixture of 30% isopropyl alcohol and 70% water and use a soft micro-fibre cloth/chamois:
- Dry off the mirror edges.
- Wipe off all water spillages immediately.

Concrete and Aluminium Frames:

- Please use a soft micro-fibre cloth/chamois and warm water

***Do not use any abrasives, acidic or alkaline based solvents/cleaners. Avoid sharp objects and keep heat and hot objects away from all surfaces of Remer Products.**

General Information

Remer Pty Ltd reserves the right to make changes in product characteristics, packaging or availability at any time without notice. Please visit www.remer.com.au for the latest information.



T: +61 (0)3 9706 6663 E: info@remer.com.au
13-15 Edison Road, Dandenong South, VIC 3175.

All sizes and measurement are approximate, but we do try and make sure they are as accurate as possible. In the interest of continuous product development, Remer reserves the right to alter specification as necessary.